



Product designation				Switch disconnecter
Product type designation				GA
Number of poles	Nr.			3
Operating voltage type				AC
Contact characteristics				
IEC Conventional free air thermal current I _{th}	A			32
Rated insulation voltage U _i IEC/EN	V			1000
Rated impulse withstand voltage U _{imp}	kV			8
Operating current I _e				
AC21A	400V	A	32	
	500V	A	32	
	690V	A	32	
AC22A	400V	A	32	
	500V	A	32	
	690V	A	32	
AC23A	400V	A	32	
	500V	A	25	
	690V	A	25	
Power dissipation per pole max	W			0.6
Rated operational power AC23A	400V	kW	15	
	690V	kW	22	
Conditional short-circuit current (rms)	kA			10
Short-circuit protection with fuse	Class/A			gG32
Making capacity AC23A 400V	A			400
Breaking capacity AC23A 400V	A			320
Mechanical life	cycles			100000
Electrical life AC21A	cycles			100000
Mechanical features				
Operating position	normal allowable		Vertical plan Any	
Fixing	Screw / DIN rail 35mm			
Terminals	type	Pillar		
	width	mm	5.6	
	height	mm	6.5	
	screw	M4		
	tool	Phillips 2		
Tightening torque for terminals				

min	Nm	1.8
max	Nm	2
min	Ibin	16
max	Ibin	18

Conductor section

IEC min	mm ²	0.75
IEC max	mm ²	16
AWG/kcmil min		18
AWG/kcmil max		6

Ambient conditions

Operating temperature

min	°C	-25
max	°C	55

Storage temperature

min	°C	-40
max	°C	70

Max altitude

m	3000
---	------

Resistance & Protection

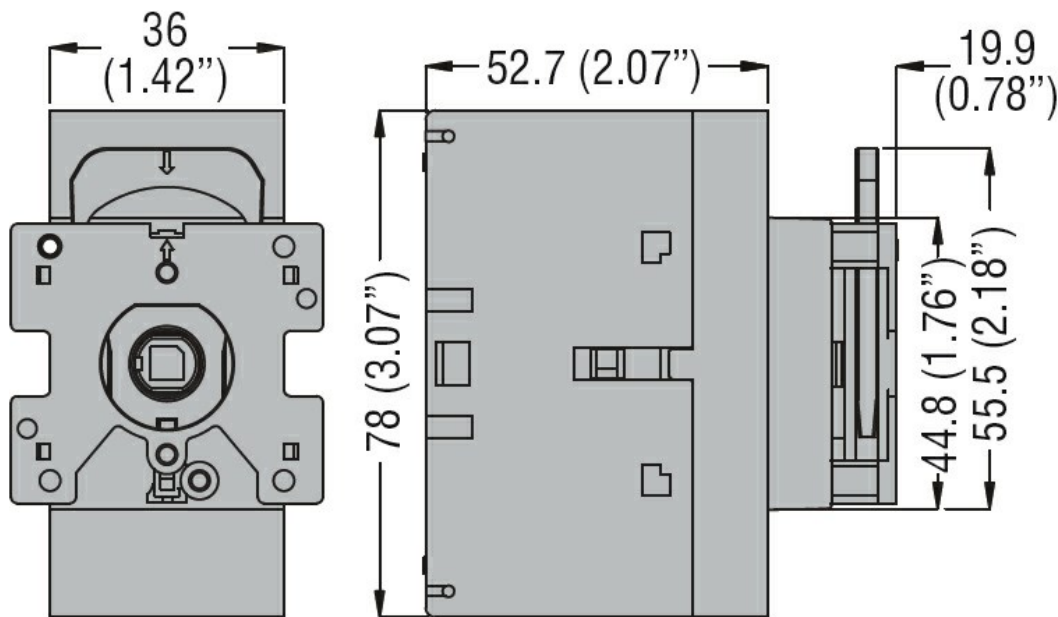
Frontal IP degree

IP20

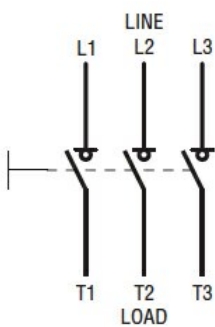
Pollution degree

3

Dimensions



Wiring diagrams



Certifications and compliance

Compliance

CSA C22.2 n°60947-4-1

IEC/EN 60947-1

IEC/EN 60947-3

UL60947-4-1

Certifications

CCC

CSA C22.2 n°60947-4-1

cULus according to UL60947-4-1

EAC

KEMA

ETIM classification

ETIM 8.0

EC000216 -
Switch
disconnecter